


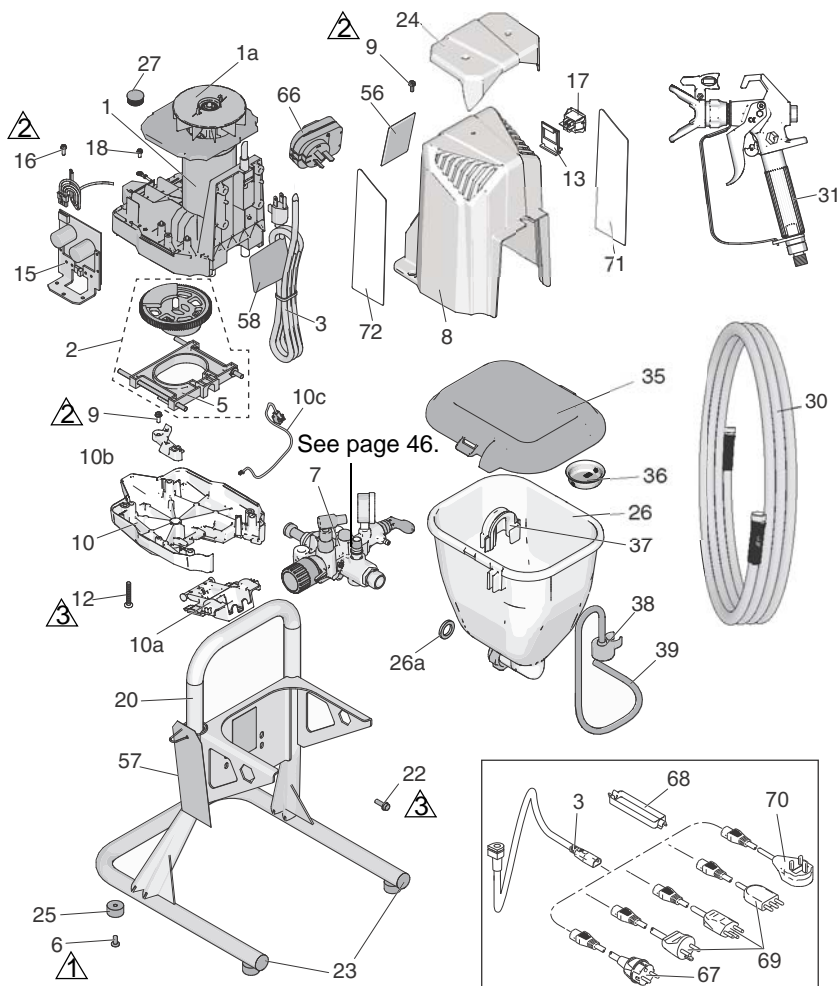


17F924, 17G184, 17H222, 17H223 Hopper

17F924, 17G184, 17H222, 17H223 Hopper Sprayers

Ref.	Torque
	15-20 in-lb (1.5 - 2 N•m)
	30-35 in-lb (3.5 - 4.0 N•m)
	110-120 in-lb (12 - 14 N•m)



ti27282a

17F924, 17G184, 17H222, 17H223 Hopper





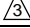
17F924, 17G184, 17H222, 17H223 Hopper Sprayers

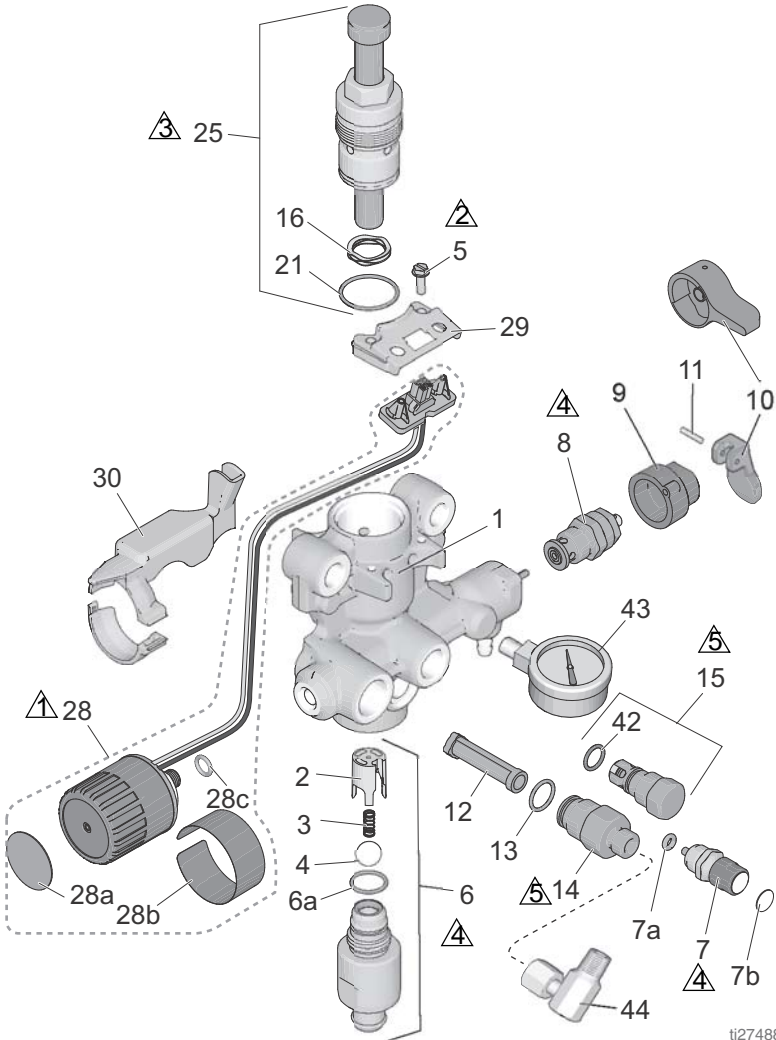
Parts List

Ref. Part	Description	Qty.	Ref. Part	Description	Qty.
1	KIT, motor <i>includes 1a</i>		30	214698 HOSE, cpld, 3/16 in. x 25ft	1
	17F757 120V, Model 17F924	1	31	17J261 GUN, spray, FTX	1
	17F758 230V, Models 17G184, 17H222, 17H223	1	35	17H417 LID, hopper	1
1a	16X980 KIT, fan	1	36	112133 SCREEN, hopper	1
2	17J863 KIT, gear and yoke <i>includes 5</i>	1	37	17H419 CLIP, drain hose	1
3	CORD, power		38	244035 DEFLECTOR, barbed	1
	17J173 Model 17F924	1	39	17K336 TUBE, drain <i>includes 37, 38</i>	1
	17J174 Model 17G184, 17H223	1	56▲	LABEL, warning	
	17J405 Model 17H222	1		17J912 Model 17F924	1
5	17J864 KIT, yoke	1		16G596 Models 17G184, 17H222	1
6	117630 SCREW, mach, hwhd	1		17K016 Model 17H223	1
7	17J909 PUMP, displacement	1	57▲	CARD, medical alert (not shown)	
8	17J887 SHIELD, motor <i>includes 9, 56</i>	1		222385 EN, ES, FR	1
9	118444 SCREW, mach, hwhd 10-24 x 0.5 in.	5		17A134 EN, ZH, KO	1
10	17J866 KIT, cover, front <i>includes 9, 10a, 10b, 10c, 12</i>	1	58▲	LABEL, warning, cord	
10a	17F233 COVER, pump, locking	1		17K020 Model 17F924	1
10b	17F262 COVER, wire	1		15H087 Model 17H223	1
10c	128551 CABLE, PC, jumper	1	66	127442 PLUG, converter, Model 17H223	1
12	115478 SCREW, mach, Torx, pan hd	4	67	242001 CORDSET, EU Model 17H222	1
13	15X737 SWITCH, bracket	1	68	195551 RETAINER, plug Model 17H222	1
15	KIT, control <i>includes 15a, 16</i>		69	287121 CORDSET, Italy/Denmark/Sweden Model 17H222	1
	17J867 120V, Model 17F924	1	70	17J242 CORDSET, UK Model 17H222	1
	17J885 230V, Models 17G184, 17H222, 17H223	1	71	LABEL, left side	
15a	119276 FUSE, 12.5A slow blow	1		17F947 Models 17F924, 17H223	1
16	117501 SCREW, plastite	1		17J041 Models 17G184, 17H222	1
17	118899 SWITCH, rocker	1	72	LABEL, right side	
18	115498 SCREW, mach, slot, hex whd	1		17F946 Models 17F924, 17H223	1
20	17H426 FRAME, hopper	1		17J039 Models 17G184, 17H222	1
22	128795 SCREW, hwh, thread forming	4	▲ Replacement Danger and Warning labels, tags, and cards are available at no cost.		
23	120151 RETAINER, caplug	2			
24	17H593 COVER, shroud	1			
25	15J388 DAMPENER, feet	4			
26	17J244 ASSEMBLY, hopper <i>includes 26a, 35</i>	1			
26a	115099 WASHER, hose	1			
27	17J819 PLUG	1			

Pump Assembly

Pump Assembly

Ref.	Torque	Ref.	Torque
 1	140-160 in-lb (16 - 18 N•m)	 4	220-250 in-lb (25 - 28 N•m)
 2	270-330 in-lb (30 - 37 N•m)	 5	320-380 in-lb (36 - 43 N•m)
 3	30-35 ft-lb (40 - 48 N•m)		

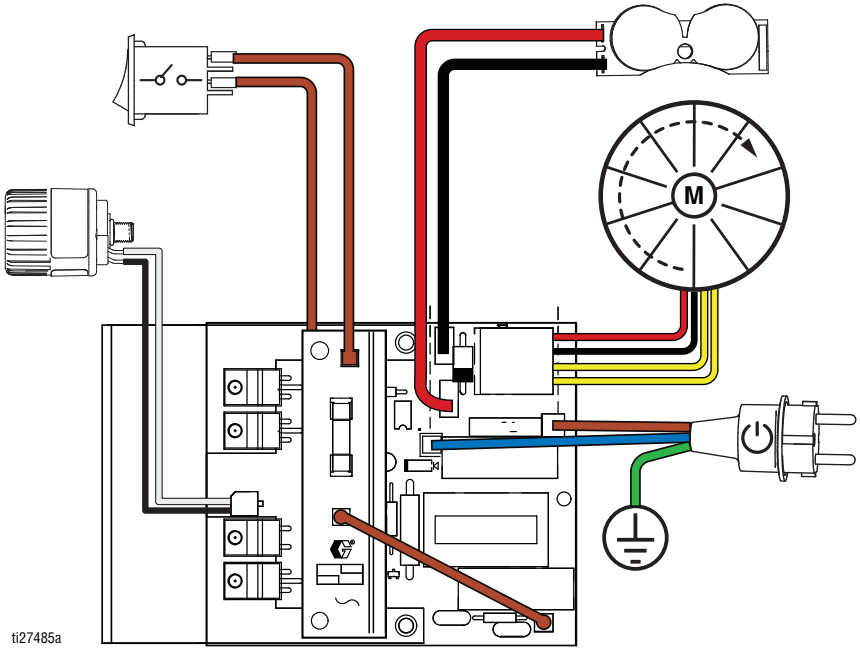


ti27488a

Pump Parts List

Ref. Part	Description	Qty.	Ref. Part	Description	Qty.
1	17G447 HOUSING, pump	1	11	111600 PIN, grooved Models 17H211, 17H214	1
2	17D364 GUIDE, ball	1	12	288747 KIT, filter (Not installed on all models.)	1
3	128336 SPRING, compression	1	13	120776 PACKING, O-ring	1
4	105445 BALL, 0.5 in.	1	14	24Y327 KIT, repair outlet	1
5	117501 SCREW, mach, slot HWH	2	15	17J880 KIT, outlet valve repair	1
6	KIT, inlet housing <i>includes 2, 3, 4, 6a</i>		16	128323 SPRING, valve	1
	17J876 Models 24Y680, 17G183, 17H218, 17H219, 17H221	1	21	16D531 PACKING, O-ring	1
	17J877 Models 17H211, 17H214	1	25	24Y472 KIT, repair, piston pump <i>includes 16, 21</i>	1
	17J924 Models 17F924, 17G184, 17H222, 17H223	1	28	KIT, pressure control <i>includes 5, 28a, 28b, 28c, 29, 30</i>	
6a	124582 PACKING, O-ring	1	17J881	Models 17H211, 17H214	1
7	17J878 KIT, PushPrime <i>includes 7a, 7b</i>	1	17J927	Models 24Y680, 17F924, 17G183, 17G184, 17H218, 17H219, 17H221, 17H222, 17H223	1
7a	16P303 PACKING, O-ring	1	28a	15A464 LABEL, control	1
7b	LABEL, PushPrime		28b	17C831 LABEL, control	1
	17G540 Models 17H211, 17H214, 17F924, 17G183, 17G184, 17H218, 17H219, 17H221, 17H222, 17H223	1	28c	106555 O-ring	1
	17K420 Model 24Y680	1	29	17F227 BRACKET, electrical connector	1
8	KIT, valve, drain, <i>includes 9, 10, 11</i>		30	KIT, shield, wire	
	235014 Models 17H211, 17H214	1	17F229	Models 17H211, 17H214	1
	17J925 Models 24Y680, 17F924, 17G183, 17G184, 17H218, 17H219, 17H221, 17H222, 17H223	1	17J882	Models 24Y680, 17F924, 17G183, 17G184, 17H218, 17H219, 17H221, 17H222, 17H223	1
9	BASE, valve		42	122486 PACKING, O-ring	1
	224807 Models 17H211, 17H214	1	43	16X147 GAUGE, pressure Models 17F924, 17G184, 17H222, 17H223	1
10	HANDLE, valve, drain		44	155541 FITTING, swivel Models 17F924, 17G184, 17H222, 17H223	1
	187625 Models 17H211, 17H214	1			
	262601 Models 24Y680, 17F924, 17G183, 17G184, 17H218, 17H219, 17H221, 17H222, 17H223 <i>includes 11</i>	1			

230V



ti27485a